

60mm DC FAN

CE RS

● General Specifications

- ⊙ Material ----- Frame:Plastics (Flammability:UL94V-0)
Impeller:Plastics (Flammability:UL94V-0)
- ⊙ Lead Wire ----- + Red - Black (Sensor) Yellow (Control) Brown
- ⊙ Life time -----25000 Hours Sleeve bearing
70000 Hours Ball bearing
- ⊙ Storage Temperat--- -30℃ ~ +70℃ (Non-condensing)
- ⊙ Bearing Type----- Ball Bearings Sleeve
- ⊙ Speed Range----- ±10%
- ⊙ Part Numbering System

SFD-FB0612DH- **B** **R** **1**

Waterproof level:0=no,1=IP55,2=IP68

Sensor: 0=no,R=RD sensor ,F=FG sensor ,P=PWM sensor ,T=Temperature sensor

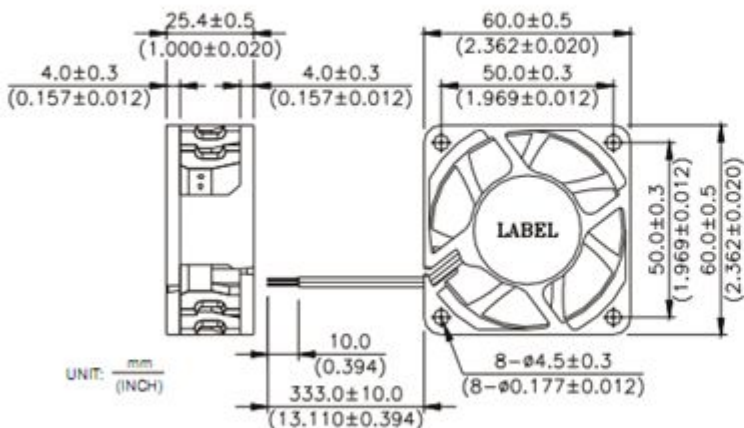
Bearing:S=sleeve bearing,B=ball bearing,Y=superflo bearing,L=long life bearing



60 X 60 X 25 mm (Mass: 80g)

Model No.	Rated Voltage	Operating Voltage	Rated Current	Rated Input	Speed	Maximum Air Flow		Max.Static Pressure		Noise
	VDC	VDC	AMP	Watt	R.P.M	M3/min	CFM	MmH2O	IN H2O	dB-A
SFD-FB0612GH	12	7.2~13.8	0.6	7.2	7600	1.04	37.1	14.56	0.564	49.5
SFD-FB0612UH			0.85	10.2	9000	1.24	44.24	21.32	0.778	51.5
SFD-FB0612DH			1.1	13.2	10200	1.51	52.5	27.85	1.12	53.5
SFD-FB0624GH	24	14.5~27.5	0.32	7.68	7600	1.04	37.1	14.56	0.564	49.5
SFD-FB0624UH			0.42	10.2	9000	1.24	44.24	21.32	0.778	51.5
SFD-FB0624DH			0.56	13.44	10200	1.51	52.5	27.85	1.12	53.5
SFD-FB0648GH	48	21~55	0.16	7.68	7600	1.04	37.1	14.56	0.564	49.5
SFD-FB0648UH			0.22	10.56	9000	1.24	44.24	21.32	0.778	51.5
SFD-FB0648DH			0.28	13.44	10200	1.51	52.5	27.85	1.12	53.5

● Dimensions(unit:mm\inch)



● Air Flow-Static Pressure Characteristics

