

172mm AC FAN

CE RS

● **General Specifications**

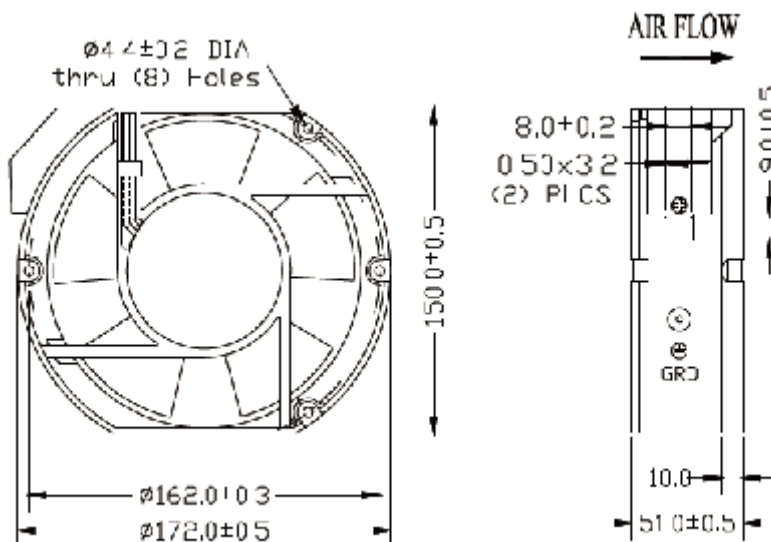
- ⌚ Material ----- Frame:Aluminum
Impeller:Plastics (Flammability:UL94V-0 rating)
- ⌚ Dielectric Strength ----- 50/60Hz 1500VAC 1minute
- ⌚ Life time -----15000 Hours Sleeve bearing
30000 Hours Ball bearing
- ⌚ Storage Temperatur--- -30℃ ~ +70℃ (Non-condensing)
- ⌚ Bearing Type----- Ball Bearings Sleeve
- ⌚ Speed Range----- ±10%
- ⌚ Part Numbering System
SFD-AC17251H 220 B - 1
- Waterproof level: 1=IP55,2=IP68
- Bearing:S=sleeve bearing,B=ball bearing
- AC Voltage: 110=100-125V、220=220-240V 380=380V



172 X 150 X 51mm (Mass910g)

Model No.	Voltage (v)	Frequency (HZ)	Rated Current (A/MP)	Rated Input (Watt)	Speed (R.P.M)	Maximum Air Flow		Max.Static Pressure		Noise (dB-A)
	VAC					M3/min	CFM	mmH2O	IN H2O	
SFD-AC17251M110B	100~125	50/60	0.39/0.41	30/32	2300/2400	4.73/5.07	166/178	11/12		42/43
SFD-AC17251M220B	220~240		0.18/0.19	28/30	2300/2400	4.73/5.08	166/179	11/12		42/43
SFD-AC17251H110B	100~125		0.45/0.5	36/37	2600/3000	5.69/6.98	200/245	14/16		46/52
SFD-AC17251H220B	220~240		0.21/0.22	33/34	2600/3000	5.69/6.98	200/245	14/16		46/52
SFD-AC17251H380B	380		0.11	34	2600	5.7	201	14		46
SFD-AC17251M380B	380		0.09	30	2400	5.05	177	12		43

● **Dimensions(unit:mm/inch)**



● **Air Flow-Static Pressure Characteristics**

