

120mm AC FAN

CE RS

● General Specifications

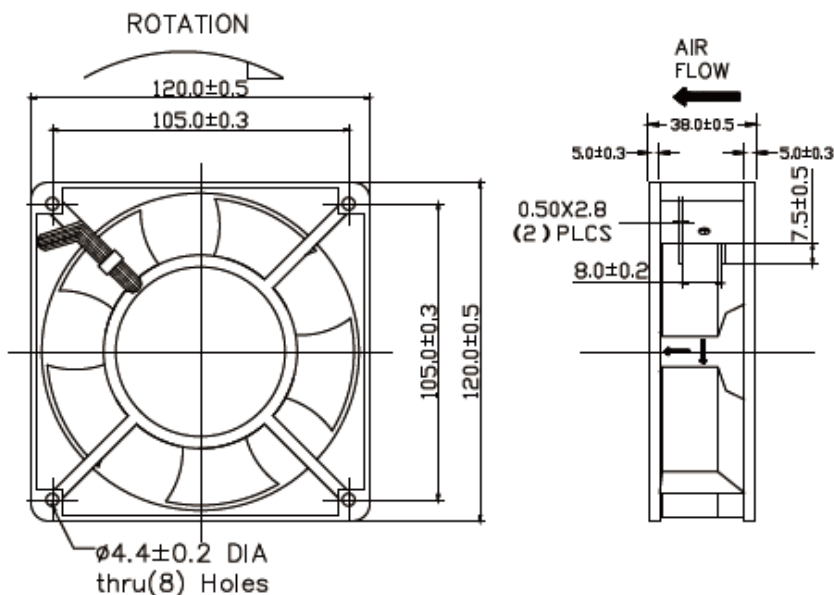
- ⌚ Material ----- Frame:Aluminum
Impeller:Plastics (Flammability:UL94V-0 rating)
- ⌚ Dielectric Strength ----- 50/60Hz 1500VAC 1minute
- ⌚ Life time -----15000 Hours Sleeve bearing
30000 Hours Ball bearing
- ⌚ Storage Temperatur--- -30℃ ~ +70℃ (Non-condensing)
- ⌚ Bearing Type----- Ball Bearings Sleeve
- ⌚ Speed Range----- ±10%
- ⌚ Part Numbering System
SFD-AC12038H 220 B - 1
Waterproof level:1=IP55,2=IP68
Bearing:S=sleeve bearing,B=ball bearing
AC Voltage: 110=100-125V、220=220-240V 380=380V



120 X 120 X 38mm (Mass535g)

Model No.	Voltage (v)	Frequency (HZ)	Rated Current (A/MP)	Rated Input (Watt)	Speed (R.P.M)	Maximum Air Flow		Max.Static Pressure		Noise (dB-A)
	VAC					M3/min	CFM	mmH2O	IN H2O	
SFD-AC12038L110B	100~125	50 / 60	0.12/0.14	10.5/12	1800/2000	1.71/1.88	60/66	4.5/4.8	0.177/0.19	29/30
SFD-AC12038L220B	220~240		0.07/0.08	10.5/12	1800/2000	1.71/1.88	60/66	4.5/4.8	0.177/0.19	29/30
SFD-AC12038M110B	100~125		0.15/0.17	14/16	2200/2400	2.0/2.1	70/75	5.0/5.6	0.198/0.22	35/37
SFD-AC12038M220B	220~240		0.08/0.09	14/16	2200/2400	2.0/2.1	70/75	5.0/5.6	0.198/0.22	35/37
SFD-AC12038H110B	100~125		0.18/0.22	18/21	2650/2950	2.59/3.22	92/114	6.36/7.63	0.25/0.3	40/45
SFD-AC12038H220B	220~240		0.11/0.12	20/19	2650/2950	2.59/3.22	92/114	6.36/7.63	0.25/0.3	40/45
SFD-AC12038H380B	380		0.07	18	2650	2.59	92	6.36	0.26	39.5
SFD-AC12038M380B	380		0.06	16	2450	2.2	76	5.7	0.228	37

● Dimensions(unit:mm/inch)



● Air Flow-Static Pressure Characteristics

