

92mm AC FAN

CE RS

● **General Specifications**

- ⌚ Material ----- Frame:Aluminum
Impeller:Plastics (Flammability:UL94V-0 rating)
- ⌚ Dielectric Strength ----- 50/60Hz 1500VAC 1minute
- ⌚ Life time -----15000 Hours Sleeve bearing
30000 Hours Ball bearing
- ⌚ Storage Temperatur--- -30℃ ~ +70℃ (Non-condensing)
- ⌚ Bearing Type----- Ball Bearings Sleeve
- ⌚ Speed Range----- ±10%
- ⌚ Part Numbering System

SFD-AC9225H 220 B - 1

Waterproof level:1=IP55,2=IP68

Bearing:S=sleeve bearing,B=ball bearing

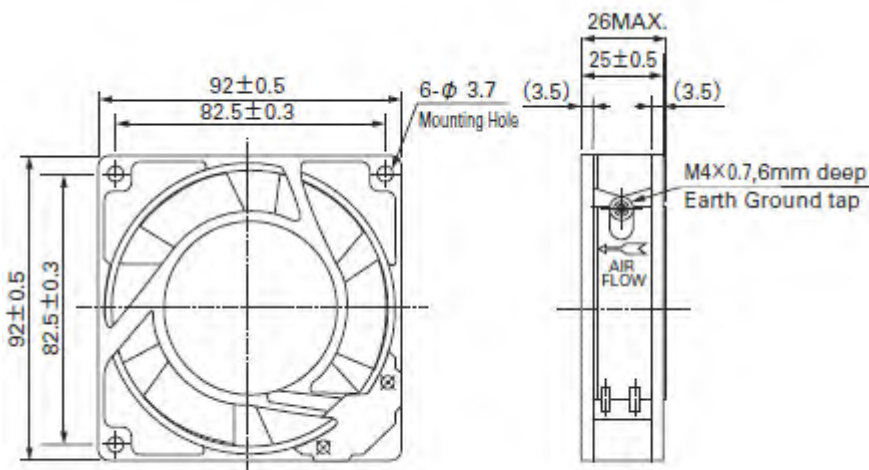
AC Voltage: 110=100-125V、220=220-240V



92 X 92 X 25mm (Mass:282g)

Model No.	Voltage (v)	Frequency (HZ)	Rated Current (A/MP)	Rated Input (Watt)	Speed (R.P.M)	Maximum Air Flow		Max.Static Pressure		Noise (dB-A)
	VAC					M3/min	CFM	mmH2O	IN H2O	
SFD-AC9225L110B	100~125	50 /60	0.06/0.07	8/9	1950/2250	0.60/0.63	21/22.2	2.6/2.71	0.101/0.106	22/24
SFD-AC9225L220B	220~240		0.04/0.05	8/9	1950/2250	0.60/0.63	21/22.2	2.6/2.71	0.101/0.106	22/24
SFD-AC9225M110B	100~125		0.08/0.09	10/11	2350/2650	0.71/0.86	25/30.5	3.0/3.51	0.118/0.131	25/33
SFD-AC9225M220B	220~240		0.05/0.06	10/11	2350/2650	0.71/0.86	25/30.5	3.0/3.51	0.118/0.131	25/33
SFD-AC9225H110B	100~125		0.10/0.12	13.5/14	2550/2900	0.85/1.06	30/37.3	3.30/4.85	0.13/0.184	32/37
SFD-AC9225H220B	220~240		0.06/0.07	13.5/14	2550/2900	0.85/1.06	30/37.3	3.30/4.85	0.13/0.184	32/37

● **Dimensions(unit:mm/inch)**



● **Air Flow-Static Pressure Characteristics**

