

● General Specifications

- ⊙ Material -----Frame:Plastics (Flammability:UL94V-0)
Impeller:Plastics (Flammability:UL94V-0)
- ⊙ Lead Wire-----+ Red - Black (Sensor) Yellow (Control) Brown
UL 1061 AWG#24 OR Equivalent
- ⊙ Storage Temperatur--- -30℃ ~ +70℃ (Non-condensing)
- ⊙ Bearing Type----- Ball Bearings Sleeve
- ⊙ Speed Range----- ±10%
- ⊙ Part Numbering System



SFD-FB0612MB- B R 1

Waterproof level:0=no,1=IP55,2=IP68

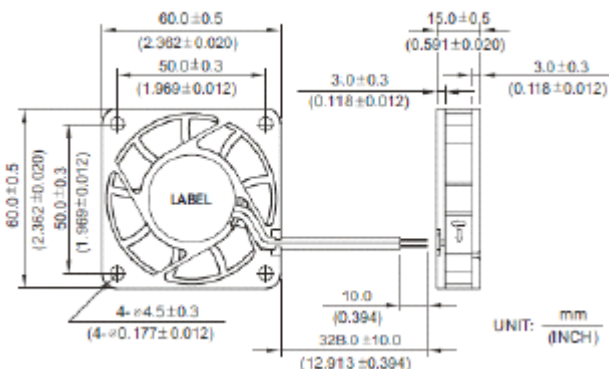
Sensor: 0=no,R=RD sensor ,F=FG sensor ,P=PWM sensor ,T=Temperature sensor

Bearing:S=sleeve bearing,B=ball bearing,Y=superflo bearing

60 X 60 X 15 mm (Mass: 26g)

Model No.	Rated Voltage	Operating Voltage	Rated Current	Rated Input	Speed	Maximum Air Flow		Max.Static Pressure		Noise
	VDC	VDC	AMP	Watt	R.P.M	M3/min	CFM	MmH2O	IN H2O	dB-A
SFD-FB00605LB	5	4~6	0.08	0.96	3000	0.373	13.25	1.61	0.060	25.5
SFD-FB00605MB			0.09	1.09	3600	0.432	15.34	2.28	0.088	29
SFD-FB00605HB			0.13	1.56	4200	0.501	17.87	3.31	0.126	33.5
SFD-FB00605HHB			0.19	2.28	4800	0.592	20.2	4.22	0.164	37
SFD-FB00612LB	12	7.5~13.2	0.08	0.96	3000	0.373	13.25	1.61	0.060	25.5
SFD-FB00612MB			0.09	1.09	3600	0.432	15.34	2.28	0.088	29
SFD-FB00612HB			0.13	1.56	4200	0.501	17.87	3.31	0.126	33.5
SFD-FB00612HHB			0.19	2.28	4800	0.592	20.2	4.22	0.164	37
SFD-FB00612VB			0.24	2.88	5400	0.373	13.25	1.61	0.060	25.5
SFD-FB00624LB	24	14~26.2	0.09	1.09	3000	0.432	15.34	2.28	0.088	29
SFD-FB00624MB			0.08	0.96	3600	0.373	13.25	1.61	0.060	25.5
SFD-FB00624HB			0.09	1.09	4200	0.432	15.34	2.28	0.088	29
SFD-FB00624HHB			0.13	1.56	4800	0.501	17.87	3.31	0.126	33.5
SFD-FB00624VB			0.19	2.28	5400	0.592	20.2	4.22	0.164	37

● Dimensions(unit:mm\inch)



● Air Flow-Static Pressure Characteristics

