

**50mm DC Blower**
**CERS**
**● General Specifications**

- ⊙ Material ----- Frame:Plastics (Flammability:UL94V-0)  
Impeller:Plastics (Flammability:UL94V-0)
- ⊙ Lead Wire ----- + Red - Black (Sensor) Yellow (Control) Brown
- ⊙ Life time -----25000 Hours Sleeve bearing  
50000 Hours Ball bearing
- ⊙ Storage Temperatur--- -30℃ ~ +70℃ (Non-condensing)
- ⊙ Bearing Type----- Ball Bearings Sleeve
- ⊙ Speed Range----- ±10%
- ⊙ Part Numbering System

SFD-BB0512HB- B R 1

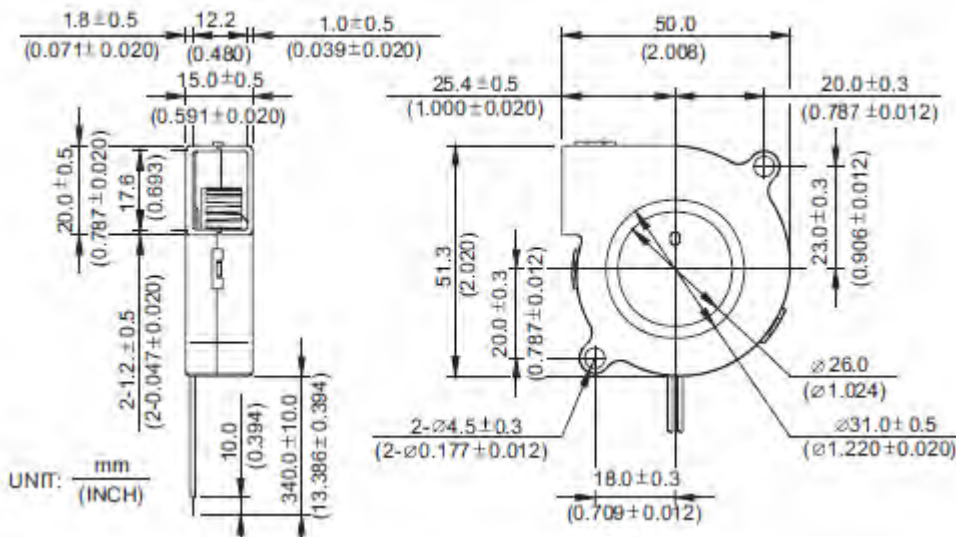
Waterproof level:0=no,1=IP55,2=IP68

Sensor: 0=no,R=RD sensor ,F=FG sensor ,P=PWM sensor ,T=Temperature sensor

Bearing:S=sleeve bearing,B=ball bearing,Y=superflo bearing,L=long life bearing


**50 X 50 X 15mm ( Mass: 28g)**

Model No.	Rated Voltage	Operating Voltage	Rated Current	Rated Input	Speed	Maximum Air Flow		Max.Static Pressure		Noise
	VDC	VDC	AMP	Watt	R.P.M	M3/min	CFM	MmH2O	IN H2O	dB-A
SFD-BB0505LB	5	4.0-6.0	0.14	0.70	3600	0.069	2.46	6.98	0.275	27.0
SFD-BB0505MB			0.33	1.65	4600	0.089	3.16	10.96	0.431	33.0
SFD-BB0505HB			0.42	2.10	5600	0.108	3.86	17.98	0.702	38.5
SFD-BB0512LB	12	7.2-13.8	0.08	0.96	3600	0.069	2.46	6.98	0.275	27.0
SFD-BB0512MB			0.11	1.32	4600	0.089	3.16	10.96	0.431	33.0
SFD-BB0512HB			0.17	2.04	5600	0.108	3.86	17.98	0.702	38.5
SFD-BB0512HHB			0.22	2.64	6500	0.129	4.58	21.09	0.861	45.5
SFD-BB0524LB	24	14.5~27.5	0.06	1.44	3600	0.069	2.46	6.98	0.275	27.0
SFD-BB0524MB			0.08	1.92	4600	0.089	3.16	10.96	0.431	33.0
SFD-BB0524HB			0.10	2.40	5600	0.108	3.86	17.98	0.702	38.5
SFD-BB0524HHB			0.12	2.88	6500	0.129	4.58	21.09	0.861	45.5

**● Dimensions(unit:mm/inch)**

**● Air Flow-Static Pressure Characteristics**
