

70mm DC FAN
CE RS
● General Specifications

- ⌚ Material ----- Frame:Plastics (Flammability:UL94V-0)
Impeller:Plastics (Flammability:UL94V-0)
- ⌚ Lead Wire ----- + Red - Black (Sensor) Yellow (Control) Brown
- ⌚ Life time -----25000 Hours Sleeve bearing
50000 Hours Ball bearing
- ⌚ Storage Temperatur--- -30℃ ~ +70℃ (Non-condensing)
- ⌚ Bearing Type----- Ball Bearings Sleeve
- ⌚ Speed Range----- ±10%
- ⌚ Part Numbering System

 SFD-FB0712LD- **B R 1**

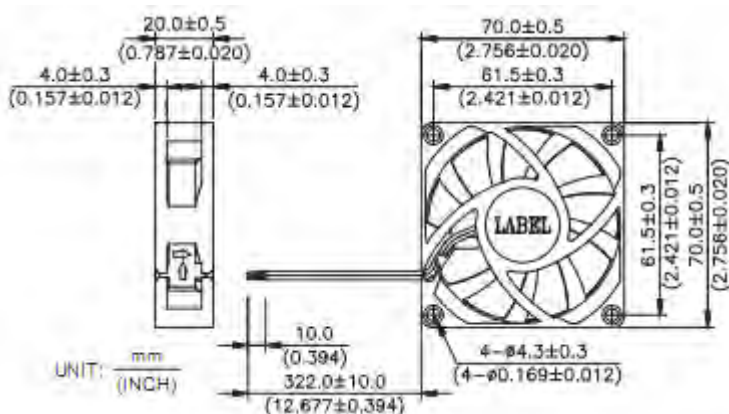
Waterproof level:0=no,1=IP55,2=IP68

Sensor: 0=no,R=RD sensor ,F=FG sensor ,P=PWM sensor ,T=Temperature sensor

Bearing:S=sleeve bearing,B=ball bearing,Y=superflo bearing,L=long life bearing


70 X 70 X 20mm (Mass: 55g)

Model No.	Rated Voltage	Operating Voltage	Rated Current	Rated Input	Speed	Maximum Air Flow		Max.Static Pressure		Noise
	VDC	VDC	AMP	Watt	R.P.M	M3/min	CFM	MmH2O	IN H2O	dB-A
SFD-FB0712LD	12	7.5~13.2	0.08	0.96	2700	0.681	24.06	2.0	0.078	27.5
SFD-FB0712MD			0.13	1.56	3300	0.825	29.14	2.97	0.115	32.5
SFD-FB0712HD			0.21	2.52	3900	0.995	35.35	4.28	0.167	37.0
SFD-FB0712HHD			0.28	3.36	4500	1.139	40.35	5.61	0.219	41.5
SFD-FB0712VHD			0.40	4.80	5200	1.318	46.75	7.18	0.279	45.5

● Dimensions(unit:mm/inch)

● Air Flow-Static Pressure Characteristics
